



WORLDWIDE ELECTRIC MOTOR DATA SHEET

PEWWE150-36-445TSC



HORSEPOWER	150		
RPM / POLES	3600 / 2		
VOLTAGE / PHASE	230 / 460 V / 3		
FRAME	445TSC		
ENCLOSURE / DEGREE OF PROTECTION	TEFC / IP55		
FREQUENCY	60 HZ Suitable For 50 HZ Operation With 1.0 SF		
FULL LOAD SPEED	3575 RPM		
SERVICE FACTOR	1.25		
INSULATION CLASS	F		
FULL LOAD AMPS; 230 / 460	329 / 164 A (Usable On 208V At 364 A)		
LOCKED ROTOR AMPS (STARTING); 230 / 460	2170 / 1085 A		
NO LOAD CURRENT	69.2 / 34.6 A		
NEMA CODE LETTER	G		
EFFICIENCY / POWER FACTOR	<u>LOAD</u>	<u>EFF.</u>	<u>P.F.</u>
	100 %	95.0%	0.90
	75 %	95.0%	0.89
	50 %	94.0%	0.86
DUTY CYCLE	S1 / Continuous		
TORQUE	<u>FULL LOAD</u>	<u>LRT</u>	<u>BDT</u>
	220 lb.ft.	160%	240%
SLIP	0.69 %		
NEMA DESIGN	B		
MOMENT OF INERTIA	27.1 lb.ft. ²		
MAX. TIME LOCKED ROTOR (Hot)	17 Seconds		
SOUND PRESSURE LEVEL	86 dB (A)		
MAX. AMBIENT TEMPERATURE	40° C		
MAX. ELEVATION	3300 Ft.		
TEMPERATURE RISE (At Full Load)	80° C		
DE BEARING	6313 C3		
ODE BEARING	6313 C3		
REGREASING INT. - DE BEARING	1800 Hours		
REGREASING INT. - ODE BEARING	1800 Hours		
GREASE TYPE	SKF LGHP 2		
MOUNTING	F1 (F2 Suitable)		
ROTATION	Bi-Directional		
SHAFT MATERIAL	1045 Carbon Steel		
INVERTER RATING	10:1 CT / 20:1 VT PWM Type		
CONNECTION DIAGRAM	230 / 460 V - 12 Lead Δ		
AREA CLASSIFICATION	Class I, Division 2, Groups A, B, C, D		
APPROXIMATE WEIGHT	1517 lbs.		

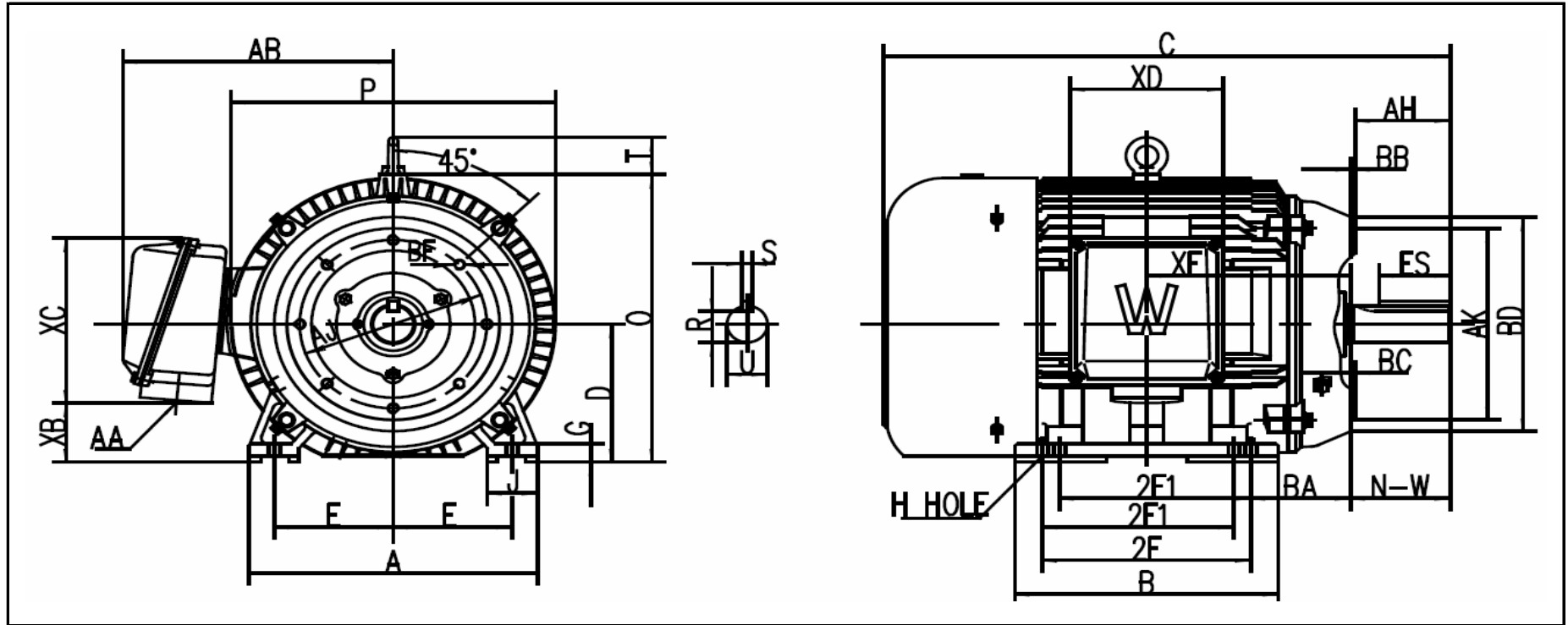


CC006A



WORLDWIDE ELECTRIC MOTOR DRAWING

PEWWE-445TSC



DIMENSIONS - INCHES

MOUNTING					A	B	C	D	G	J	P	O	T	AB
E	2F1	2F2	H	BA										
9	14.5	16.5	0.81	7.5	22	20.5	40.1	11	1.38	3.4	23.5	23	3.47	20

KEY		KEYSET		FLANGE				SHAFT		TERMINAL BOX				
S	ES	R	AK	AJ	BF	BB	BD	N-W	U	AA	XB	XC	XD	XE
0.625	3.03	2.021	16	14	5/8 - 11	0.25	18	4.75	2.375	2 x 3	5.9	12	11.5	13.85

PERFORMANCE CURVES

WorldWide Electric Corporation

1 (800) 808-2131

Worldwideelectric.net



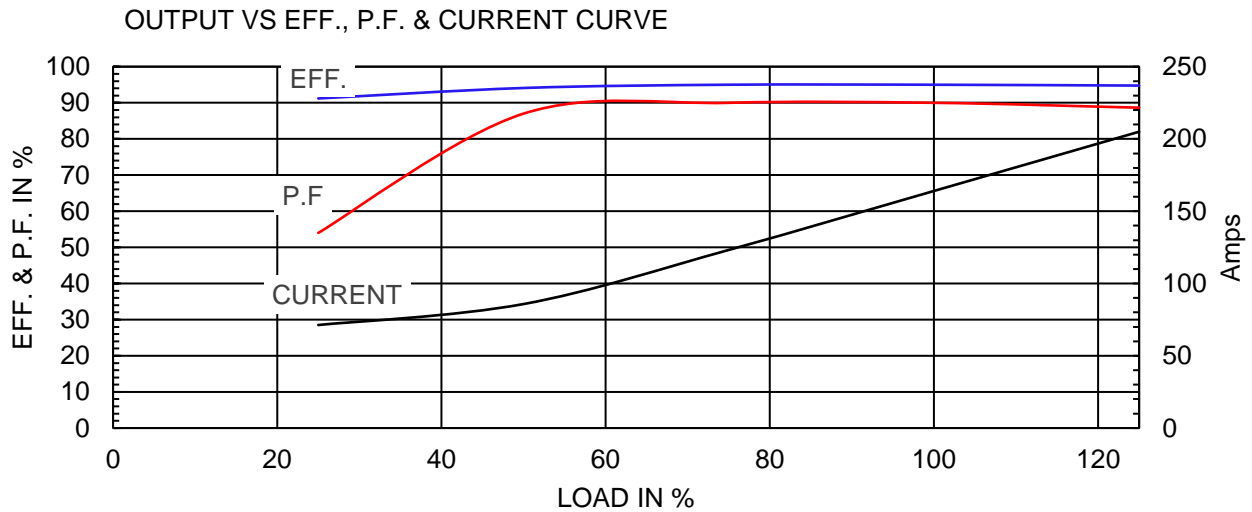
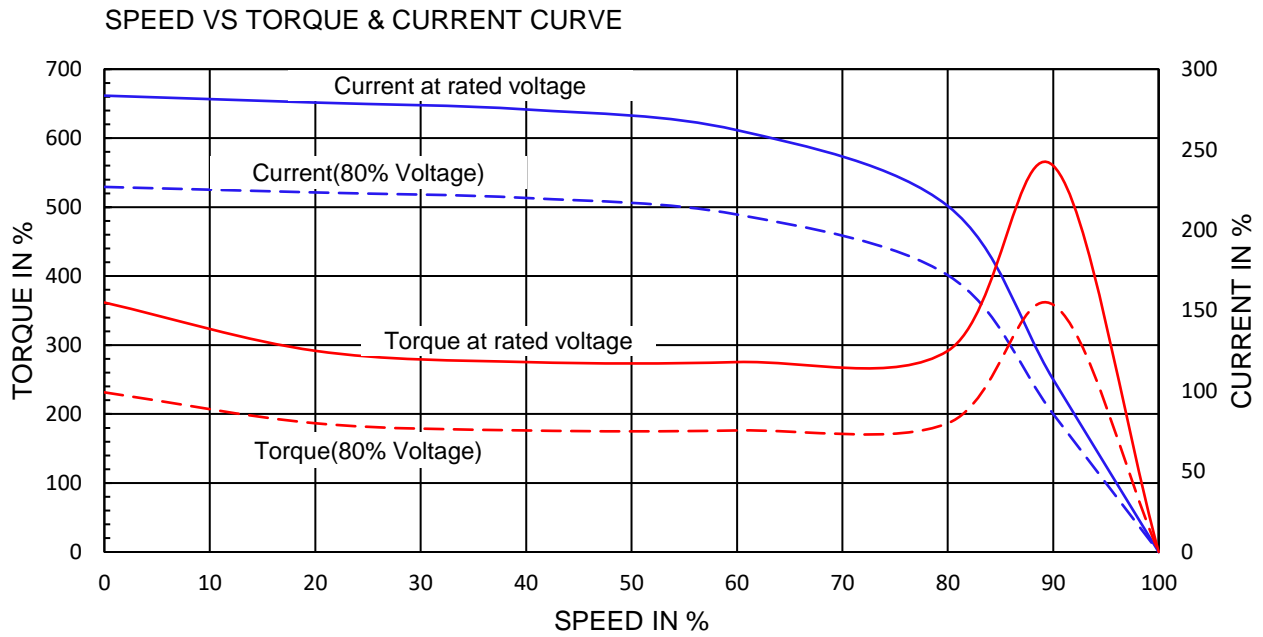
Premium Efficiency Motor:

PEWWE150-36-445TSC

Document Generated: 25-Jun-2020
Document ID:

Customer:

Motor Type	PEWWE		FL Speed	3575	
Output Rating (HP)	150		LRT (%FLT)	155	460 volt FLA 164
Full Load Torque	220 lb.ft		BDT (%FLT)	240	230 volt FLA 329A
Rotor Wk ²	27.1 lb-ft ²				



NAMEPLATE / WIRING

WorldWide Electric Corporation

1 (800) 808-2131

Worldwideelectric.net



Premium Efficiency Motor: **PEWWE150-36-445TSC**

Document Generated: 26-Sep-2019
Document ID:

Customer:

SAMPLE NAMEPLATE DATA

		PREMIUM EFFICIENCY 3-PHASE INDUCTION MOTOR			259277 CC006A ISO9001			
Model	PEWWE150-36-445TSC		Ser No.		ZP			
HP	150	S.F.	1.25	Type	Encl	TEFC IP55		
Frame	445TSC	P.F.	0.9	Ins Cl	Rating	40°C Amb Cont		
Voltage	230/460	Hz	60Hz	Design	DE Brng	6313 C3		
Amps	329A / 164A	RPM	3575	Code	ODE Brng	6313 C3		
Nom.Eff.	FL 95.0 %	3/4	95.0 %	230/460V		Date		
Usable on 208V network at 364 Amps 1.0SF			Class I DIV. 2 Groups A B C D		Amb.40°C	T3A(180°C)		
10:1 CT 20:1 VT PWM VFD 1.0SF			Class I Zone 2 IIC		Amb.55°C	T3(200°C)		
50Hz 150 HP #N/A V #N/A / #N/A A #N/A rpm 1.0SF								
WorldWide Electric Corporation								
			Low Voltage 6 4 5 7 8 9 12 10 11 1 2 3 L1 L2 L3			High Voltage 4 5 6 7 8 9 12 10 11 1 2 3 L1 L2 L3		

